



Minimum requirements

Before welding the mount to the trailer or flatbed truck, make sure the following dimensions are obtainable. Do *not* install this mount if these minimum clearances are not possible. Contact Sellick Equipment for more information.

- a) Minimum vertical clearance of 46" (figure 3) from underside of deck of trailer or flatbed truck to ground.

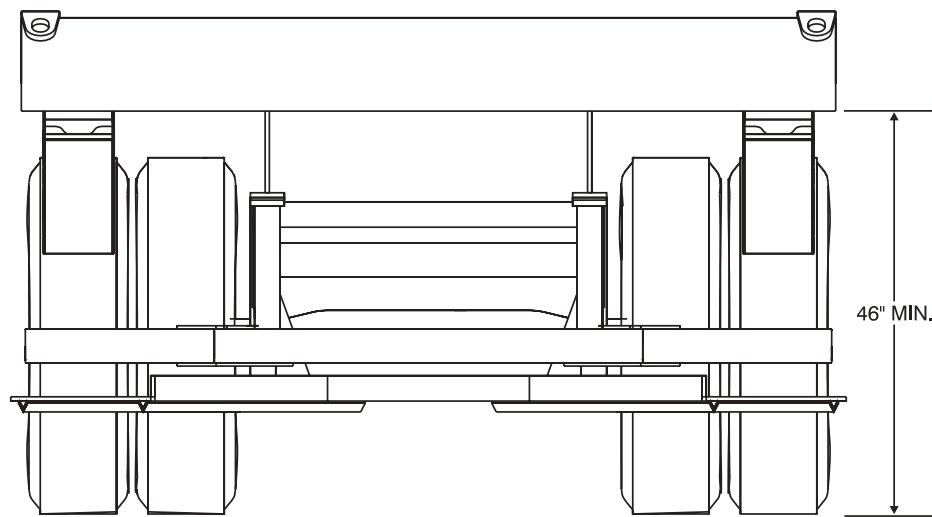


Figure 3

- b) Minimum horizontal clearance of 34 1/2" from rear of deck to tire (figure 4).

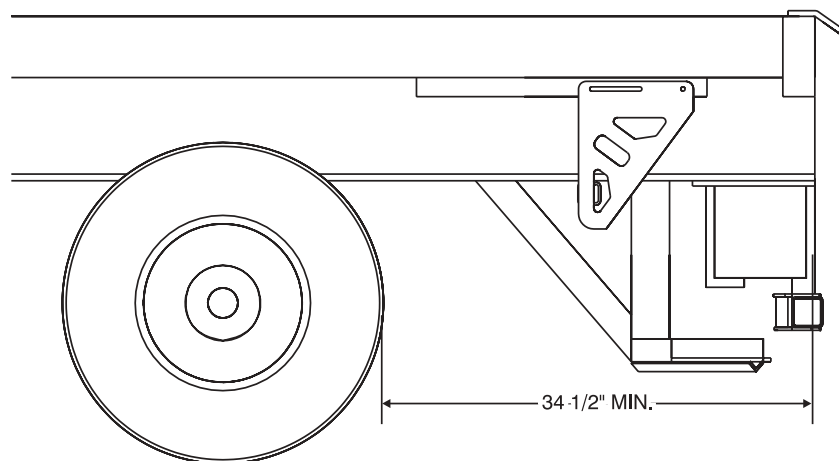


Figure 4