

Poultry Coop Handlers



Powered by **ecoMAX T4i**

S60 & SLP60

Powerful

Work in tight quarters

The low profile SLP and S Series are specially equipped to handle the demands of the poultry industry. Poultry Coop Handlers have full lift capacity to maximum fork height to ensure operator safety, productivity and efficiency in the tightest quarters.

Exceptional performance is delivered from the Ecomax T4i interim tier 4 turbocharged diesel engine coupled to a fully automatic transmission which increases productivity and reduces downtime.



All models are available in two or four-wheel drive for excellent on-command traction.

 **SELICK**

Poultry coop handlers

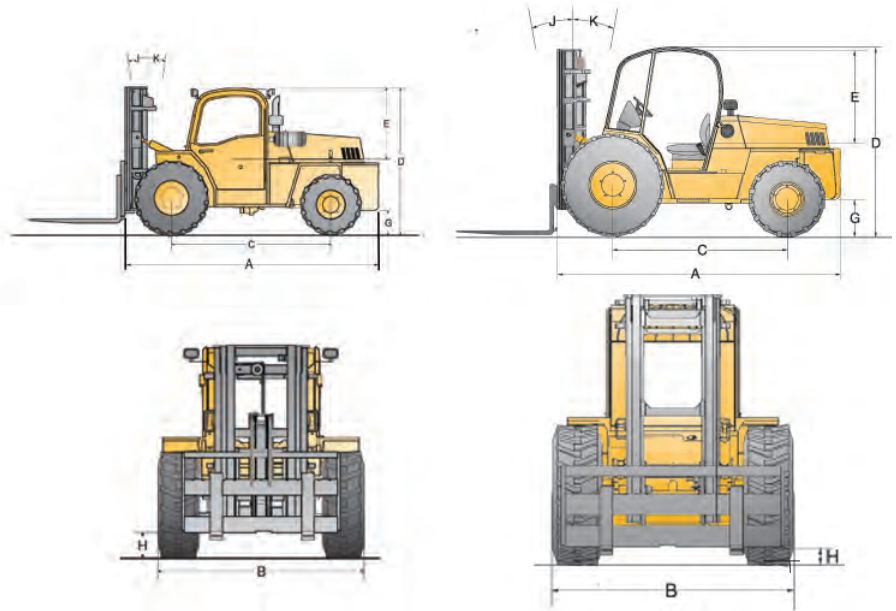
Lift capacities @ 48" load centre

Optional equipment & attachments

Powershift automatic transmission

20/20 or 20/40 rotator carriages for pullet or broiler handling

Wide variety of forks



Model	Ref	SLP-60	S60
Lift capacities @ 48 inch load centre		3 800 lbs/1,724 kg	3 800 lbs/1,724 kg
Overall length (without forks)	A	147"/3 733 mm	149"/3 785 mm
Overall width	B	78"/1 981 mm	89"/2 261 mm
Wheelbase	C	93"/2 362 mm	89"/2 261 mm
Height to top of overhead guard (poultry)	D	75"/1 905 mm	85"/2 159 mm
Distance from seat to overhead guard (poultry)	E	40"/1016 mm	40"/1016 mm
Outside turning radius		2WD: 178"/4 521 mm 4WD: 196"/4 978 mm	178"/4 521 mm
Aisle width 90° stacking		2WD: 260"/6 604 mm 4WD: 278"/7 061 mm	266"/6 756 mm
Frame underclearance	G	11"/279 mm	15"/381 mm
Mast underclearance	H	12"/305 mm	12"/305 mm
Mast sideshift		6"/152 mm	6"/152 mm
Mast tilt - forward	J	20°	45°
Mast tilt - rearward	K	10°	12°
Gradeability		25%	25%
Tire size type & size (standard)	Drive (pneumatic)	15 - 19.5 - 12 ply	15.5 x 25 - 12 ply
	Steer (pneumatic)	12 - 16.5 - 10 ply	14 x 17.5 - 14 ply
Engine manufacturer & model	Ecomax T4i turbocharged interim Tier 4 diesel		
Cylinders	4		
Engine output (gross power)	74 hp @ 2 200 rpm		
Peak torque	243 ft·lbs @ 1 100 rpm		
Transmission type (optional)	4-speed fully automatic powershift		

Because of our constant dedication to product improvement, all specifications are subject to change without notice.



Sellick Equipment Limited

P.O. Box 1000/358 Erie Street North
Harrow, Ontario, Canada • N0R 1G0 •
519-738-2255 • sellick@mnsi.net



Sold and serviced by: