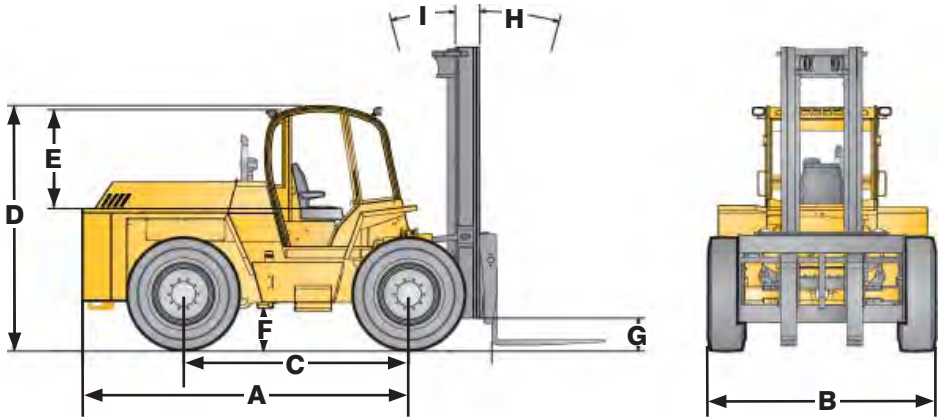


# S160

## rough terrain forklift

Lift capacity of 16,000 lbs @ 24" load centre



Model	Ref	S160
Lift capacities @ 24 inch load centre		16 000 lbs
Total weight (w/2 stage mast & fork positioning carriage)		28,650 lbs
Overall length	A	185"/4 699 mm
Overall width	B	100"/2 540 mm
Wheelbase	C	100"/2 540 mm
Height to top of overhead guard	D	106"/2 692 mm
Distance from seat to overhead guard	E	43"/1 092 mm
Outside turning radius		189"/4,801 mm
Frame underclearance	F	21"/533 mm
Mast underclearance	G	12"/305 mm
Carriage sideshift		6"/152 mm
Mast tilt - forward	H	15°
Mast tilt - rearward	I	12°
Axle(s)	Dana 213 Series	
Travel speed (standard)	16 mph	
Gradeability	25%	
Tire size type & size	Front/Rear (pneumatic) 15.5 x 25 - 16 ply L3	
Electrical System	Alternator - 95A; Battery 1 000 CCA (12 volt system)	
Engine model	Dieselmax 444 Series intercooled turbocharged, Tier III	
Cylinders	4	
Engine output (gross power)	114 hp @ 2 200 rpm	
Peak torque	325 ft·lbs @ 1 300 rpm	
Transmission manufacturer & type	Dana T20000 Automatic Powershift	

*Because of our constant dedication to product improvement, all specifications are subject to change without notice.*