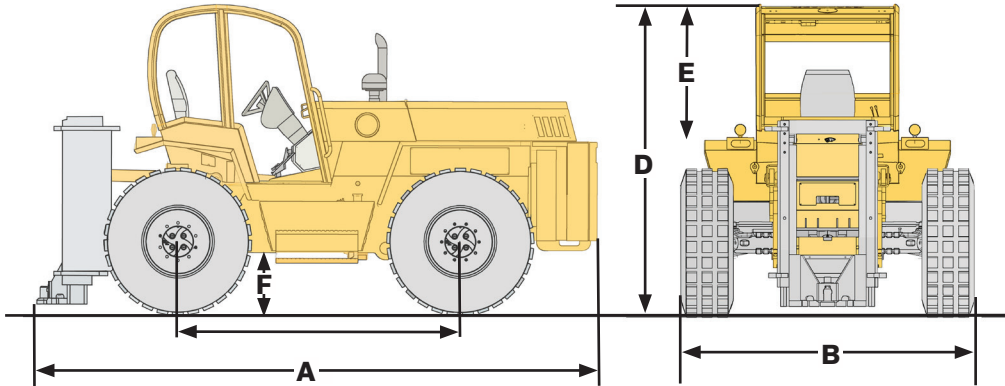


STT160

rough terrain tow forklift

Lift capacity of 20,000 lbs @ 8" load centre



Model	Ref	STT160
Lift capacities @ 8 inch load centre		20 000 lbs/9 072 kg
Total weight (w/slider mast)		22,670 lbs/10,283 kg
Drawbar (laden)		19 800 lbs/8 981 kg
Overall length (to end of mast)	A	205"/5 207 mm
Overall width	B	100"/2 540 mm
Wheelbase	C	100"/2 540 mm
Height to top of overhead guard	D	106"/2 692 mm
Distance from seat to overhead guard	E	43"/1 092 mm
Outside turning radius		189"/4,801 mm
Frame underclearance	F	21"/533 mm
Axle(s)		Dana 213 Series
Travel speed (standard)		16 mph
Gradeability		25%
Tire size type & size		Front/Rear (pneumatic) 15.5 x 25 - 16 ply L3
Electrical System		Alternator - 95A; Battery 1 000 CCA (12 volt system)
Engine model		Dieselmax 444 Series intercooled turbocharged, Tier III
Cylinders		4
Engine output (gross power)		114 hp @ 2 200 rpm
Peak torque		325 ft-lbs @ 1 300 rpm
Transmission manufacturer & type		Dana T20000 Automatic Powershift

Because of our constant dedication to product improvement, all specifications are subject to change without notice.