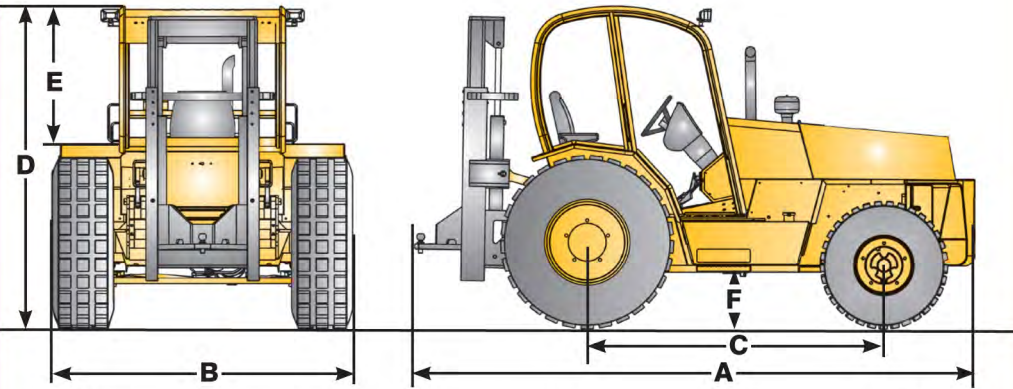


STT80

rough terrain tow forklift

13,000 lbs capacity @ 12" load centre



Model	Ref	STT80
Lift capacities @ 12 inch load centre		13 000 lbs/5 897 kg
Total weight (w/slider mast & hitch)		14 586 lbs/6 616 kg
Drawbar (laden)	13 300 lbs / 6 033 kg (2WD); 15 000 lbs / 6 804 kg (4WD)	
Overall length	A	157"/3 988 mm
Overall width	B	89"/2 261 mm
Wheelbase	C	89"/2 261 mm
Height to top of overhead guard	D	95"/2 413 mm
Distance from seat to overhead guard	E	43"/1 092 mm
Outside turning radius		178"/4 521 mm
Frame underclearance	F	15"/381 mm
Mast sideshift		6"/152 mm
Travel speed (standard)	20 mph	
Gradeability	25%	
Tire size type & size	Front/Rear (pneumatic) 15.5 x 25 - 16 ply L3; 14 x17.5 - 14 ply	
Electrical System	Alternator - 95A; Battery 1 000 CCA (12 volt system)	
Engine model	Ecomax T4i diesel turbocharged	
Cylinders	4	
Engine output (gross power)	74 hp @ 2 200 rpm	
Peak torque	243 ft·lbs @ 1 100 rpm	
Transmission manufacturer & type	Power reversing powershift	
Noise level at operator's ear (at engine idle)	72 dba	
Noise level at operator's ear (at full rpm)	88 dba	

Because of our constant dedication to product improvement, all specifications are subject to change without notice.

— All Sellick forklifts meet or exceed all ANSI B56.6 safety standards. —