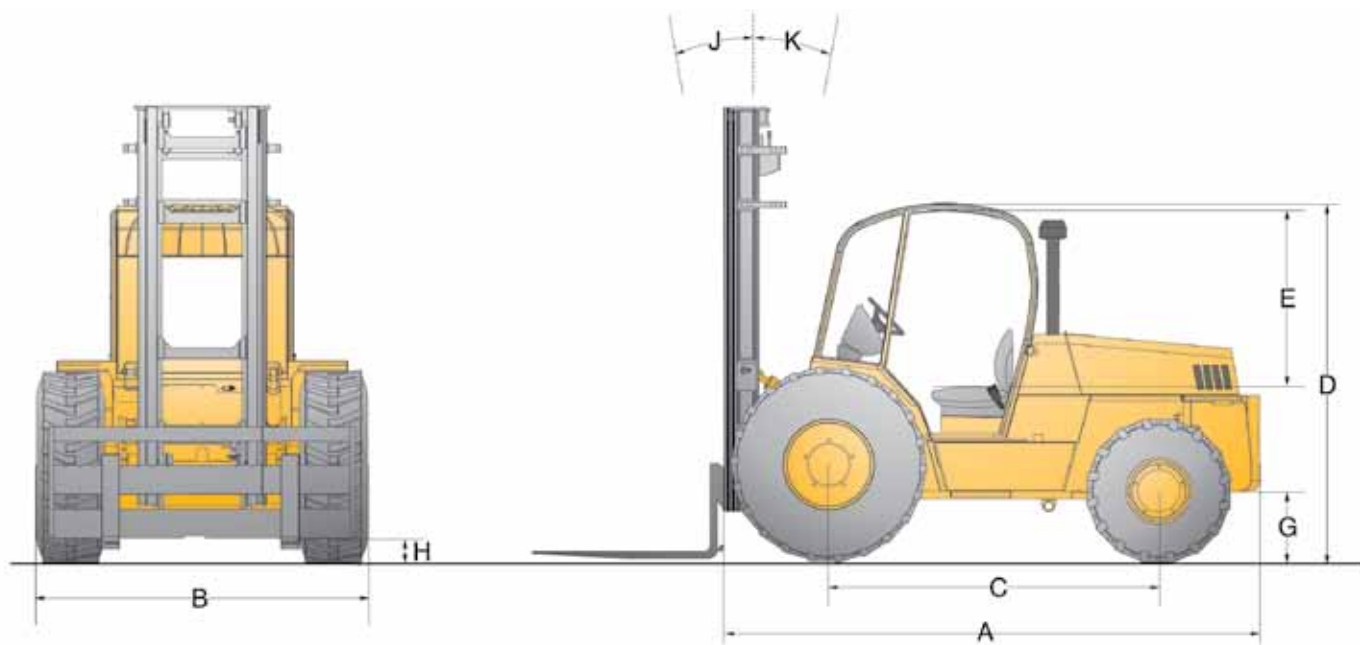


S Series rough terrain forklifts

6 000, 8 000, 10 000, 12 000 lbs lift capacities @ 24" load centre



| Model | Ref | S60 | S80 | S100 | S120 |
|--|-----|---------------|--|---------------|---------------|
| Lift capacities @ 24 inch load centre | | 6 000 lbs | 8 000 lbs | 10 000 lbs | 12 000 lbs |
| Total weight (w/2 stage mast) | | 14,843 lbs | 16,168 lbs | 19,389 lbs | 21,564 lbs |
| Overall length (without forks) | A | 149"/3 785 mm | 150"/3 810 mm | 152"/3 861 mm | 159"/4 039 mm |
| Overall width | B | | 89"/2 261 mm | | |
| Wheelbase | C | | 89"/2 261 mm | | |
| Height to top of overhead guard (std) | D | | 95"/2 413 mm | | |
| Distance from seat to overhead guard (std) | E | | 43"/1 092 mm | | |
| Outside turning radius | | | 178"/4 521 mm | | 183"/4 648 mm |
| Aisle width 90° stacking | | | 266"/6 756 mm | | 271"/6 883 mm |
| Frame underclearance | G | | 15"/381 mm | | |
| Mast underclearance | H | | 12"/305 mm | | |
| Mast sideshift | | | 6"/152 mm | | |
| Mast tilt - forward | J | | 45° | | |
| Mast tilt - rearward | K | | 12° | | |
| Travel speed (standard) | | 19 mph | 19 mph | 19 mph | 12 mph |
| Gradeability | | | 25% | | |
| Tire size type & size (standard) | | | Drive (pneumatic) 15.5 x 25 - 12 ply Steer (pneumatic) 14 x 17.5 - 14 ply | | |
| Engine manufacturer & model | | | Ecomax T4i Series diesel | | |
| Cylinders | | | 4 | | |
| Engine output (gross power) | | | 74 hp @ 2 200 rpm | | |
| Peak torque | | | 243 ft-lbs @ 1 100 rpm | | |
| Transmission type | | | Power reversing synchromesh | | |
| Noise level at operator's ear (at engine idle) | | | 72 dbA | | |
| Noise level at operator's ear (at full rpm) | | | 88 dbA | | |

Because of our constant dedication to product improvement, all specifications are subject to change without notice.

— All Sellick forklifts meet or exceed all ANSI B56.6 safety standards. —